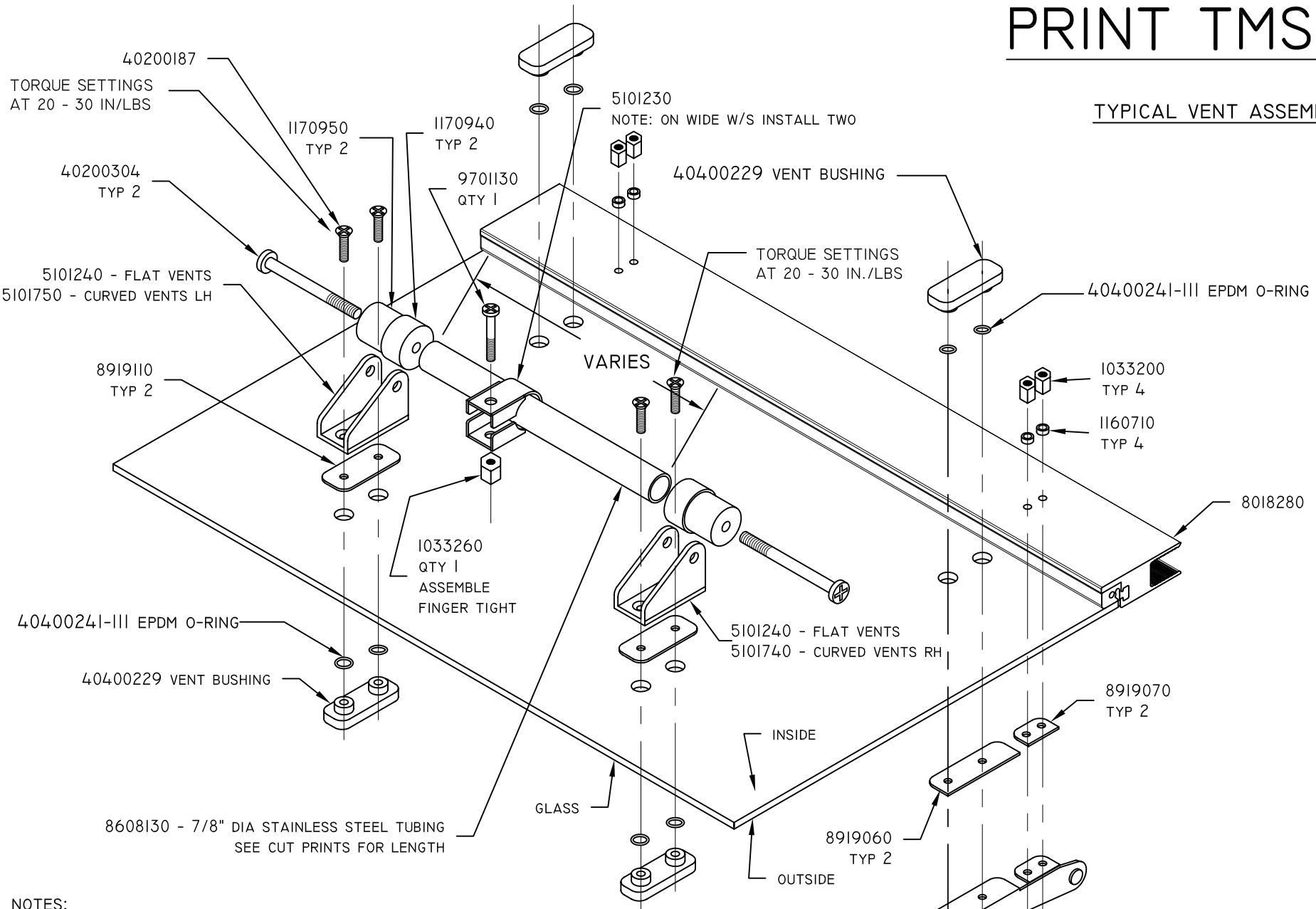


# PRINT TMS-008

## TYPICAL VENT ASSEMBLY



**NOTES:**

1. INSTALL 5102400 OR 5101740 / 5101750 BRACKETS ON GLASS
2. INSTALL 5101230 BRACKET ON TUBE. USE WHITE TAPE TO PROTECT TUBE DURING ASSEMBLY & SHIPPING
3. CONNECT TUBE TO BRACKETS

SET TORQUE SETTINGS AT 20 - 30 IN./LBS

REVISION	DATE	DESCRIPTION
A	11/22/05	CHANGED #9096050 SCRE TO # 40200304